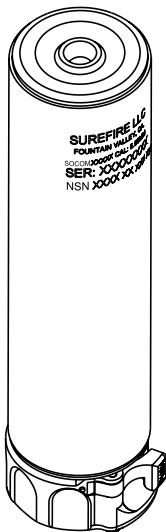
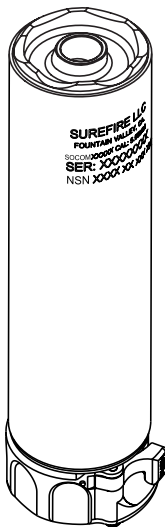




PATENT NO.
7,954,464
8,091,462
8,459,405
8,459,406
8,584,794
10,088,259



SOCOM SERIES



SOCOM 2 SERIES

SUREFIRE SOCOM FAST-ATTACH[®] SOUND SUPPRESSOR SYSTEM

FOR ALL SUREFIRE SOCOM & SOCOM 2 SUPPRESSORS,
BLANK FIRING ADAPTERS AND TRAINING ADAPTERS

USER MANUAL

TABLE OF CONTENTS

1. SureFire Sound Suppressor Systems	1
2. Included Components	1
3. Parts Diagram	2
4. Suppressor Fast-Attach® Quick Reference	2
5. Suppressor Adapter Installation Procedures	3
6. Suppressor Attachment Procedures	3
7. Suppressor Removal Procedures	4
8. Firing Schedule	4
9. Wet Suppression	4
10. Maintenance	5
10.1 Field Cleaning Procedures	
10.2 Armorer Level Cleaning Procedures	
10.3 Lubrication	
11. Demil Procedures	6
12. Suppressor Alignment	6
13. Warranty	7

1. SUREFIRE SOUND SUPPRESSOR SYSTEMS

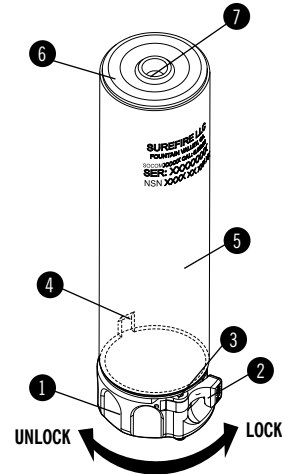
Using SureFire's expertise in weapon systems, aerospace materials, product testing, and precision manufacturing, our design team built a best-in-class suppressor that incorporates all the key features suppressor users have long sought.

- Accuracy:** Patented Fast-Attach® feature ensures minimal, consistent point-of-impact shift.
- Suppression:** Provide consistent sound, flash, and dust signature reduction. Each suppressor is tested to SureFire's exacting standards.
- Balance:** Compact size and light weight allow for minimal impact on weapon handling.
- Durability:** High-temp aerospace alloys and precision manufacturing tolerances provide increased durability, making fulltime suppressor use a reality.
- Safety:** Constructed using fail-safe baffles that are designed to allow an unbalanced or defective projectile to pass through the baffles so it continues down range.

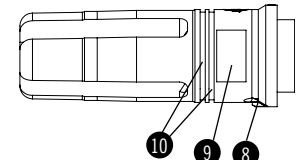
2. INCLUDED COMPONENTS

- Suppressor
- Carrying Pouch
- Cleaning Brush
- User Manual

3. PARTS DIAGRAM



1. Lock Ring
2. Lock Ring Latch
3. Latch Screw
4. Suppressor Indexing Slot
5. Suppressor Body
6. Front Plate
7. Suppressor Bore
8. Adapter Indexing Tab
9. Wrench Flat
10. Labyrinth Seals



4. FAST-ATTACH® QUICK REFERENCE

- OPEN:** Depress latch and rotate 1/2 turn counterclockwise to unlock the lock ring.
- ATTACH:** Slide suppressor over suppressor adapter.
- SPIN:** Rotate suppressor until the suppressor indexing slot lines up with and seats onto adapter indexing tab.
- LOCK:** Tighten lock ring until rotation stops. Audible clicks should be heard while tightening.
- VERIFY:** Attempt to rotate suppressor; only slight rotational movement under tension should be felt.

Note: To see a video overview of this attachment process, visit www.YouTube.com/SureFireHowTo

5. SUPPRESSOR ADAPTER INSTALLATION PROCEDURES

Note: Refer to SureFire SOCOM adapter installation instructions from your adapter purchase or visit www.surefire.com.

6. SUPPRESSOR ATTACHMENT PROCEDURES

⚠ WARNING

Confirm that weapon is unloaded and on SAFE (Refer to the user manual provided with the weapon for proper weapon safety features and handling instructions)

1. Depress the latch on lock ring and hold to keep it unlocked.
2. Rotate the lock ring, following the black arrow in Figure 4, to the unlocked position.

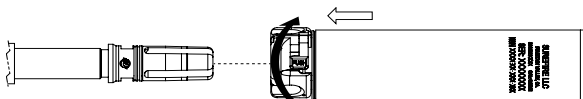


FIGURE 4

3. Slide the suppressor over the adapter following the white arrow in Figure 4. Rotate counterclockwise until the indexing slot on the suppressor (Figure 5B) lines up with and seats onto the indexing tab on the adapter (Figure 5A). **Ensure that the suppressor is fully seated onto the adapter.**

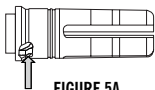


FIGURE 5A

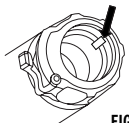


FIGURE 5B

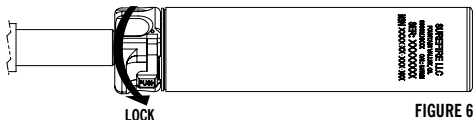


FIGURE 6

4. Rotate the lock ring to locked position following the arrow in Figure 6 until it can no longer be rotated. The lock ring should rotate approximately 180°. Audible clicks will be heard during this process.

⚠ CAUTION: If lock-ring doesn't rotate approximately 180° during installation, the suppressor is not fully seated on adapter. Remove suppressor and repeat steps 3 & 4.

7. SUPPRESSOR REMOVAL PROCEDURES

⚠ CAUTION: Do not handle suppressor immediately after it has been used in live-fire operations. Allow suppressor to cool off sufficiently before handling. Surface of the suppressor and host weapon can reach temperatures that will inflict severe burns if handled immediately after live-fire operations!

1. Depress the latch on lock ring and hold to keep it unlocked.
2. Rotate the lock ring, following the black arrow in Figure 7A, to the unlocked position.
3. Firmly grasp the suppressor tube and pull it away from the host weapon as shown in Figure 7B.



FIGURE 7A

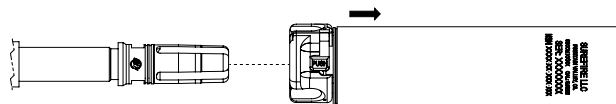


FIGURE 7B

8. FIRING SCHEDULE

⚠ WARNING

Limit full auto firing to reduce heat buildup and extend suppressor life. Avoid firing more than 90 rounds of sustained fire. If this limit is reached, allow the unit to cool before resuming fire if possible. High-rate firing beyond 120 rounds can cause cook-off conditions (clear stoppages quickly and leave the chamber empty).

9. WET SUPPRESSION

To eliminate first round flash, detach suppressor and add a small amount of water into the rear of the suppressor or submerge suppressor under water. Be sure to drain all excess water before re-attaching suppressor.

Note: A "wet" suppressor can be used in potentially flammable environments; it reduces the possibility of a secondary ignition.

10. MAINTENANCE

While SureFire suppressors require minimal maintenance, it is recommended that the adapter and suppressor be cleaned in conjunction with regular weapon maintenance. Cleaning should be conducted as often as necessary.

10.1 LUBRICATION

SureFire suppressors are manufactured with a permanent dry lubricant on the lock ring and require no additional lubrication. Any weapons-grade oil may be used in addition to the dry lubricant to facilitate smooth rotation of the lock ring.

10.2 FIELD CLEANING PROCEDURES

Note: *Suppressor back section must be cleaned prior to attachment if alternating between different model adapter types. (i.e. alternating between a muzzle brake and a flash hider)*

1. Remove suppressor from host weapon by following the suppressor removal procedures.
2. Brush and/or scrape carbon and copper residue from the inside of the suppressor attachment area.
3. Brush and/or scrape carbon and copper residue from the adapter.

Note: *Gun cleaner may be used to remove carbon/copper fouling from both the adapter and the corresponding internal mounting surfaces of the suppressor.*

10.3 ARMORER LEVEL CLEANING PROCEDURES

Note: *Extensive cleaning of the Surefire SOCOM/SOCOM2 suppressor is optional and not required.*

1. Place suppressor muzzle down in a container that will hold liquid.
2. Fill container with CLR® cleaner until just below the lock ring.

▲ WARNING

Be sure the locking ring is not submerged in the CLR cleaner to avoid discoloration of the ionbond coating on the lock ring.

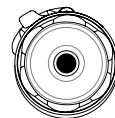
3. Let the suppressor soak in CLR cleaner undisturbed for 24 hours.
4. Remove the suppressor from the CLR cleaner and rinse with water.
5. Brush the attachment areas of the suppressor with the supplied nylon cleaning brush to remove any carbon buildup.
6. Rinse the suppressor in clean water after brushing.
7. Fire 5-10 rounds of live ammunition through the suppressor to expel loosened carbon in the sealed section of the suppressor.
8. Process can be repeated annually or every 10,000 rounds if desired.

11. DEMIL PROCEDURES

Silencers/suppressors/mufflers are deemed code “D” items. The preferred method of DEMIL for items assigned code “D” is smelting. Silencers/suppressors/mufflers shall be demilitarized by smelting, breaking, shearing, crushing, deep water dumping, or cutting utilizing a cutting tip that minimally displaces 1/2 inch of metal, or crushed to the extent necessary to preclude restoration to a usable condition. At least three cuts shall be made with at least one cut through the back section/lock ring area. The back section/lock ring area cut shall be at least one wall thickness of the outer tube and shall cut through the entire length of the back section. Cuts shall be made completely through the tube forward of the back section/lock ring area. Shearing, crushing, deep water dumping, or smelting may be utilized when such methods of DEMIL are deemed cost effective or practicable and when authorized by the appropriate authority or the DoD DEMIL Program Manager (DDPM).

12. SUPPRESSOR ALIGNMENT

When attaching a SureFire suppressor to a firearm for the first time, alignment should be verified using a suppressor alignment bore rod prior to firing a suppressed shot. If alignment is questionable please contact SureFire Technical Support at 714-545-9444.



PROPER ALIGNMENT



OUT OF ALIGNMENT

13. WARRANTY

SureFire warrants our suppressors and suppressor related products to be free from defects in workmanship and materials for the lifetime of the original owner. We will repair, replace, or refund your original purchase price of a product if it is determined by SureFire to be defective. This warranty does not cover normal wear and tear, damage to the suppressor resulting in whole or in part from unauthorized repairs, unstable or non-SAAMI/NATO specification ammunition, abuse, misuse, or neglect. Unwarranted repairs to the suppressor, including but not limited to core rebuilds, made necessary by any of these factors will be invoiced to the owner who will be given the right to approve such work before it commences. BSD's and BFA's are designed to be used with blank ammunition only. Any damage due to live fired rounds is not covered by this warranty and cannot be repaired. SureFire assumes no responsibility whatsoever and will honor no claims for damages, regardless of nature, for physical injury or property damage resulting from careless and/or irresponsible handling, adjustments to the suppressor and/or suppressor related products, neglect or abuse.

DISCLAIMER

The above warranties are exclusive, and to the extent permitted by applicable laws, shall be in lieu of all other warranties, expressed or implied, including, without limitation, any warranty of merchantability or fitness for a particular use or purpose. SureFire disclaims any and all liability for product malfunctions, physical injuries, or property damage that result in whole, or in part, from the criminal, negligent, or improper use of the product: and/or from modifications or alterations thereto. In no event shall SureFire be liable for any incidental, special, or consequential damages relating to the purchase, use, or performance of any SureFire product.

WARRANTY CLAIMS

For repair or replacement email Technical Support at technicalsupport@surefire.com or contact Customer Service at 800-828-8809 (toll free) or 714-545-9444 and obtain a Return Merchandise Authorization number (RMA#). An initial request for RMA can also be submitted through the link on www.surefire.com. You may be supplied with additional shipping instructions specific to the product being returned. Package the unit carefully and in accordance with all instructions then return to the mailing address provided (no CODs please). SureFire will pay any reasonable shipping costs to return the unit to you. ©2019 SureFire, LLC. All rights reserved.



Revision G 05-2021
71-01-863
SOCOM

18300 MT. BALDY CIRCLE
FOUNTAIN VALLEY, CA 92708-6122
WWW.SUREFIRE.COM



BLANK SAFETY DEVICE

WARRANTY

SureFire warrants our suppressors and suppressor related products to be free from defects in workmanship and materials for the lifetime of the original owner. We will repair, replace, or refund your original purchase price of a product if it is determined by SureFire to be defective. This warranty does not cover normal wear and tear, damage to the suppressor resulting in whole or in part from unauthorized repairs, unstable or non-SAAMI/NATO specification ammunition, abuse, misuse, or neglect. Unwarranted repairs to the suppressor, including but not limited to core rebuilds, made necessary by any of these factors will be invoiced to the owner who will be given the right to approve such work before it commences. BSD's and BFA's are designed to be used with blank ammunition only. Any damage due to live fired rounds is not covered by this warranty and cannot be repaired. SureFire assumes no responsibility whatsoever and will honor no claims for damages, regardless of nature, for physical injury or property damage resulting from careless and/or irresponsible handling, adjustments to the suppressor and/or suppressor related products, neglect or abuse.

DISCLAIMER

The above warranties are exclusive, and to the extent permitted by applicable laws, shall be in lieu of all other warranties, expressed or implied, including, without limitation, any warranty of merchantability or fitness for a particular use or purpose. SureFire disclaims any and all liability for product malfunctions, physical injuries, or property damage that result in whole, or in part, from the criminal, negligent, or improper use of the product: and/or from modifications or alterations thereto. In no event shall SureFire be liable for any incidental, special, or consequential damages relating to the purchase, use, or performance of any SureFire product.

WARRANTY CLAIMS

For repair or replacement email Technical Support at technicalsupport@surefire.com or contact Customer Service at 800-828-8809 (toll free) or 714-545-9444 and obtain a Return Merchandise Authorization number (RMA#). An initial request for RMA can also be submitted through the link on www.surefire.com. You may be supplied with additional shipping instructions specific to the product being returned. Package the unit carefully and in accordance with all instructions then return to the mailing address provided (no CODs please). SureFire will pay any reasonable shipping costs to return the unit to you. ©2019 SureFire, LLC. All rights reserved.

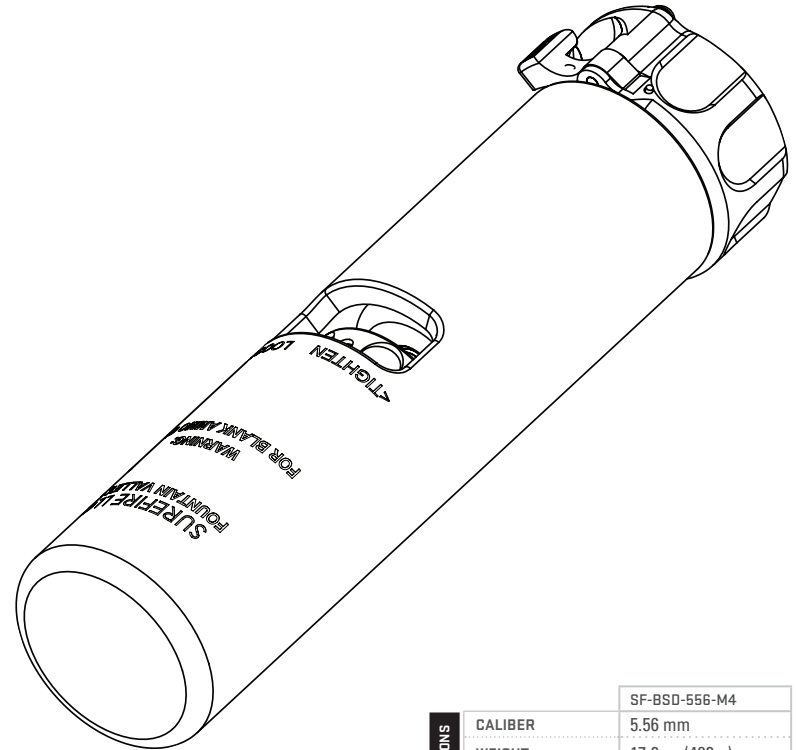


18300 MT. BALDY CIRCLE
FOUNTAIN VALLEY, CA 92708-6122
WWW.SUREFIRE.COM

Revision C 09-2020
71-01-1046
SF-BSD-556-M4
DOPSR REF# 21-S-0070



PATENT NO.
8,091,462
8,459,406



		SF-BSD-556-M4
SPECIFICATIONS	CALIBER	5.56 mm
	WEIGHT	17.0 oz (482 g)
	DIAMETER	1.5 in. (3.8 cm)
	LENGTH	6.2 in. (15.7 cm)
	ADDED TO WEAPON	4.0 in. (10.2 cm)*

*Actual length may vary, depending on which SureFire adapter is used

BLANK SAFETY DEVICE

SF-BSD-556-M4

DESIGNED FOR USE WITH 5.56 MM M4/M4A1 RIFLES
EQUIPPED WITH SUREFIRE SUPPRESSOR ADAPTERS

USER MANUAL

BLANK SAFETY DEVICE

SAFETY INFORMATION

The SureFire Blank Safety Device (BSD) for the M4/M4A1 is a training tool that is designed for use during training exercises performed with blank ammunition only. Attachment is similar to the SureFire SOCOM Suppressor with the ease of adjustment being similar to that of the Yellow M23, Blank Firing Adapter (BFA) for the M4/M4A1.

KIT CONTENTS:

- Blank Safety Device
- User Manual

ATTACHMENT

⚠ WARNING

ALWAYS confirm weapon is unloaded and on SAFE before attempting installation.

⚠ WARNING

Blank Safety Device will only function properly when mounted on a SureFire Suppressor Adapter designed for this BSD.

1. Prior to installation, fully loosen the spud assembly wheel found mid-way up body of BSD by turning to the right as directed.
2. Depress the locking ring latch and turn locking ring counterclockwise to the open position.
3. Install BSD onto SureFire Suppressor Adapter that has been previously installed onto host weapon. The indexing notch in the BSD must be aligned and inserted onto the indexing tab of the suppressor adapter to ensure proper installation.
4. Rotate locking ring to the right (clockwise) until hand tight.
5. Tighten spud assembly wheel to the left until hand tight. Then use the neck of a blank cartridge case (punch or other tool can be used) for final tightening.

Note: As with the yellow M23 BFA retightening may be necessary if the spud loosens after extended use.

REMOVAL

⚠ WARNING

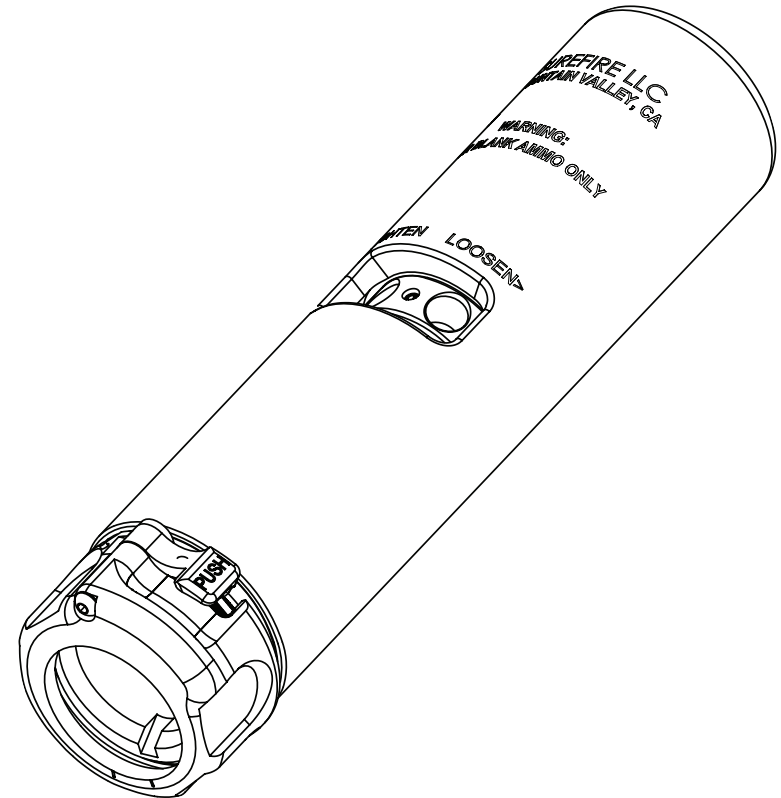
ALWAYS confirm weapon is unloaded and on SAFE before attempting removal.

1. To loosen spud wheel, use the neck of a blank cartridge case (punch or other tool can be used) by inserting into the wheel and turning to the right as labeled on body for removal.
2. Depress locking ring latch and rotate the locking ring to the unlocked position.
3. Release locking ring latch.
4. Pull on body of Blank Safety Device, away from host weapon, to remove.

MAINTENANCE

This product can be cleaned of debris with either running or standing water from the spud wheel assembly. Allow to air dry or use compressed air to blow out. If carbon or gas fowling is present, a cleaning brush and solvent can be used to remove residue.

Note: Any oiling or introduction of solvents into the product will cause the unit to smoke or off gas during firing.



- Approximate size and weight of the SureFire SOCOM556-RC/RC2 Suppressors.
- When attached, this product allows the user to maintain or develop weapon handling skills of that with a suppressor attached.
- Venting system designed for use with 14.5-16" barrel length M4 type weapon systems firing NATO M200 or equivalent blanks.