

THE SUREFIRE NO-HASSLE GUARANTEE

We'll do what it takes to keep your SureFire gear running smoothly. SureFire warrants that if you — our customer — purchase one of our products, and we determine that it is defective in material and/or workmanship during your lifetime, we will repair or replace it — no hassle!

Our warranty does not cover consumables or normal wear-and-tear — things like batteries draining, headbands and headpads wearing out, ink cartridges running out, and switches wearing out — or damage resulting from abuse, alterations, unauthorized repairs, or use contrary to SureFire's user manuals.

Should you need a replacement product, Surefire reserves the right to replace an obsolete product with a current production, like model. In the event that any issue with a SureFire product is not covered under this warranty SureFire can arrange to have the product repaired for a reasonable fee.

STANDARD DISCLAIMER

Except as specified above or prohibited by applicable law: all express or implied conditions and warranties, including, without limitation, any implied warranty or condition of merchantability or fitness for a particular purpose, or accuracy of any informational content, are hereby excluded and disclaimed by SureFire; and in no event will SureFire be liable for any special, direct, indirect, consequential, incidental or punitive damages howsoever arising and regardless of the theory of liability, even if advised of the possibility of such damages. Products, prices, availability, specifications, and offers are subject to change or cancellation at any time without notice.

WARRANTY CLAIMS

For claims, contact Customer Service at 714-545-9444 to obtain a Return Merchandise Authorization number (RMA#). Then package the unit carefully and send to (no CODs):

SureFire, LLC.
Repairs Department, RMA# _____
17680 Newhope, Suite B
Fountain Valley, CA 92708

SureFire will pay any reasonable shipping costs to return the unit to you.

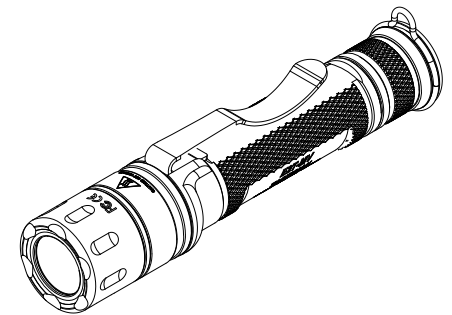


Revision B 1-2018
71-01-1042
E2T-MV

18300 MT. BALDY CIRCLE
FOUNTAIN VALLEY, CA 92708-6122
SUREFIRE.COM
Patents: 6547415, RE40125



E2T-MV TACTICIAN DUAL-OUTPUT MAXVISION BEAM™ LED FLASHLIGHT E2T-MV



Specifications	E2T-MV
Output	High: 800 Low: 5 lumens
Runtime	High: 1.5 Low: 94 hours
Intensity	3,200 candela
Weight	3.5 oz (99 g)
Length	5.0 in (12.7 cm)
Bezel Diameter	1.0 in (2.54 cm)

All performance claims tested to ANSI/NEMA FL1-2009 Standard.

USER MANUAL

E2T-MV TACTICIAN

WE BUILD THE BEST

This innovative, best-in-class SureFire illumination tool was designed, engineered, and manufactured in America — using the best components sourced worldwide — to provide you with a lifetime of service. Please be sure to review this manual to ensure optimal performance.

WE MAKE THE BEST FOR THE BEST

Your SureFire illumination tool has been designed and manufactured to provide years of reliable service. Please review this manual to ensure optimal performance.

LIGHT OPERATION

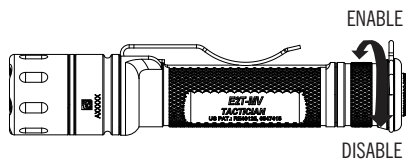
Press tailcap switch for momentary output and twist clockwise for constant output. High Output Only Activation: Ensure bezel is hand tight. Low Output Only Activation: Rotate bezel counterclockwise 1/4 turn.



LOCKOUT TAILCAP (US PAT. RE40125)

Most SureFire illumination tools feature a lockout tailcap, which prevents accidental activation during storage or transport. The tailcap may need to be enabled prior to light operation.

To enable, rotate tailcap clockwise until light activates when tailcap pushbutton is pressed or clicked.



To lock out tailcap, rotate counterclockwise until light will not activate when pressed or clicked.

BATTERY REPLACEMENT

Most SureFire illumination tools ship preloaded with batteries. To load or replace batteries:

1. Unscrew LED assembly counterclockwise and remove.
2. Remove old battery(ies) and dispose of properly.



3. Insert new 123A lithium battery(ies) with positive (+) terminal(s) oriented forward.
4. Replace LED assembly by screwing on clockwise. Press pushbutton (with tailcap enabled) to test.

Note: Never mix old and new batteries; always replace all of the batteries at the same time.

⚠ WARNING

Use of substandard batteries can cause injury or property damage. Visit www.surefire.com/batterysafety.

BATTERY INFORMATION & WARNINGS

For complete battery information and warnings, reference the enclosed BATTERY INFORMATION / WARNING insert in your illumination tool's original packaging or visit www.surefire.com/batteries.

MAINTENANCE

Wipe with a clean, dry cloth. For tips on maintaining your SureFire illumination tool, visit www.surefire.com/faqs-maintenance.

ACCESSORIES

SureFire makes a full line of accessories for most of its illumination tools. For a complete listing, visit www.surefire.com/parts-accessories.