



# 2211<sup>®</sup>X

VARIABLE-OUTPUT LED WRISTLIGHT

## USER MANUAL



### ANSI / FL1 STANDARD

HIGH



OUTPUT



RUNTIME

MED



OUTPUT



RUNTIME

LOW



OUTPUT



RUNTIME

# 2211<sup>®</sup>X

VARIABLE-OUTPUT LED WRISTLIGHT



## Kit Contents:

- 2211X Wristlight
- One 123A lithium battery



PUSHBUTTON SWITCHING



123A BATTERY PORT

2211X WRISTLIGHT //	
<b>OUTPUT</b>	High: 300 Med: 60 Low: 15 lumens
<b>RUNTIME</b>	High: 1.5 Med: 7 Low: 13 hours
<b>WEIGHT (w/battery)</b>	3.5 oz (99 g)
<b>SWITCHING</b>	Pushbutton
<b>DIMENSIONS</b>	1.3" L x 2.6" W x 1.8" H (3.3 cm x 6.6 cm x 4.5 cm)
<b>MATERIALS</b>	High-impact polymer
<b>COLOR</b>	Black
<b>BATTERY</b>	One 123A lithium (included)

All performance claims tested to ANSI/NEMA FL1-2009 Standard.



## GET THE BEST FROM THE BEST

Your 2211<sup>®</sup>X WristLight is a unique tool that produces SureFire's broad, flawless MaxVision Beam™ for hands-free illumination that's perfect for a broad range of close- to medium-range tasks that require both hands, including engine repair, plumbing and home improvement work, or simply walking the dog at night. Its unique design directs the LED's light precisely where you need it, and it can be flipped around and worn on the inside of the wrist to change the direction of the light. When worn on the support-hand wrist and paired with a handgun held in a standard two-handed grip, the 2211X WristLight automatically aligns to provide sufficient illumination for threat identification at close range and, should it become necessary, for accurate target acquisition in low- or no-light conditions. To get the most out of your 2211X, please take a moment to review this manual.

*NOTE: Before initial use, remove battery cap and discard battery insulator.*

## LIGHT OPERATION

**There are two ways to activate the 2211X:**

1. **Hold Activation:** Press and hold down the pushbutton switch. The LED will automatically cycle from high to medium to low output and then stay on low output. Cease applying pressure to the pushbutton switch when the LED reaches the desired output level. To turn off, press the pushbutton switch after the LED has been on for at least one second.
2. **Press Activation:** Press the pushbutton switch once for high output. Press again, within one second, for medium output. Press a third time—again, within one second—for low output. Continue to press in this way to repeat the cycle. To turn off, press pushbutton switch after LED has been on for at least one second.

### Using the 2211X with a handgun:

Activate light—strapped to your support (non-gun) hand—before drawing pistol from holster. Deactivate light after safely holstering pistol. Do not activate, deactivate, or adjust your 2211X while holding a firearm.

*NOTE: The 2211X WristLight may become warm during extended use. This is the natural by-product of thermal management of its high-performance LED.*

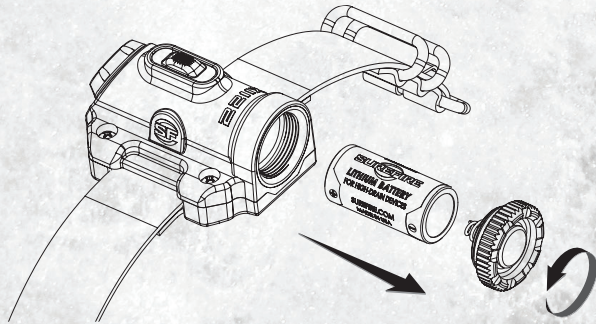
## INSTALLING / REPLACING THE BATTERY

The 2211X is powered by a single 123A lithium battery, which comes installed.

### Change-Battery Reminder

As a built-in reminder regarding when to change the battery, the 2211X's LED automatically drops to, and stays in, low-output mode when there is no longer sufficient battery power to generate high or medium output. The battery must be replaced immediately to enjoy the full functionality of the 2211X.

**To replace the battery**, unscrew the battery compartment cover, remove the spent battery, and dispose of the old battery properly. Insert a new SureFire-brand—or other reputable manufacturer's—123A lithium battery (see enclosed BATTERY INFORMATION/WARNING insert) with the positive (+) end facing forward. Screw the battery cap back on until hand tight.



## BATTERY INFORMATION & WARNINGS

Before replacing batteries, read the enclosed BATTERY INFORMATION/WARNING insert in your original packaging. For additional battery safety, handling, and product information, visit [www.surefire.com/batteries](http://www.surefire.com/batteries).

## MAINTENANCE

Periodically wipe the WristLight clean with a clean wet or dry cloth. For tips on properly maintaining your SureFire illumination tool, visit [www.surefire.com/faqs-maintenance](http://www.surefire.com/faqs-maintenance).

## ACCESSORIES

For a complete listing, visit [www.surefire.com/partsaccessories](http://www.surefire.com/partsaccessories).

## THE SUREFIRE NO-HASSLE GUARANTEE

**We'll do what it takes to keep your SureFire gear running smoothly.**

SureFire warrants that if you — our customer — purchase one of our products, and we determine that it is defective in material and/or workmanship during your lifetime, we will repair or replace it for free or refund your money — no hassle! There are just a few exceptions. For complete details, visit [www.surefire.com/warranty](http://www.surefire.com/warranty).

## WARRANTY CLAIMS

For claims, contact Customer Service at 714-545-9444 to obtain a Return Merchandise Authorization number (RMA#). Then package the unit carefully and send to (no CODs):

SureFire, LLC.  
Repairs Department, RMA# \_\_\_\_  
17680 Newhope, Suite B  
Fountain Valley, CA 92708

SureFire will pay any reasonable shipping costs to return the unit to you.



18300 MT. BALDY CIRCLE  
FOUNTAIN VALLEY, CA 92708-6122  
[WWW.SUREFIRE.COM](http://WWW.SUREFIRE.COM)

Patents: 9,155,168, 0790,097

Revision C 03-2019

71-01-968

2211°X

