

XC3 SUB

SUBCOMPACT HANDGUN LIGHT



1000 LUMENS



0.75 HOURS



228 METERS



DESCRIPTION

The XC3 Sub joins SureFire's XC3 family, providing the optimal weaponlight solution for subcompact concealed-carry handguns. It packs duty-grade durability and performance in an easily concealable form factor that securely fits most railed, subcompact handgun models. Powered by its included SFR123 rechargeable lithium battery, the XC3 Sub's LED generates 1,000 lumens of intense white light and 13,000 candela shaped by our precision-engineered parabolic reflector for positive target identification to 228 meters. Additionally, the beam pattern delivers an optimized corona of diffused light for situational awareness in the near field. For added versatility, the XC3 can also be powered by a single 123A lithium primary battery. Intuitive, ambidextrous switching provides both momentary and constant-on activation options. We've constructed the XC3 Sub's robust body from lightweight, high-strength aerospace aluminum, then Mil-Spec hard anodized and sealed it to repel the elements. As a result, the XC3 Sub is compact yet rugged enough for everyday use without weighing down your handgun.



FEATURES

- Lightweight and ultra-compact; ideal for concealed carry subcompact handguns
- Included rail clamp mount (and SureFire accessory mounts sold separately) securely attach to a variety of subcompact firearms
- Dual Fuel: Generates 1,000 lumens and 13,000 candela when powered by the included SFR123 rechargeable lithium battery; 123A lithium primary battery-compatible
- Front-loading design allows quick battery swaps without removing the light from the host weapon
- Integrated ambidextrous momentary and constant-on switching
- Quickly tap and release either toggle switch for constant on activation; to turn off, simply tap and release either toggle
- Press and hold either toggle switch for momentary activation; release to turn off
- Disable feature to prevent accidental activation while in storage or traveling
- Mil-Spec hard-anodized aluminum body and tempered window ensure rugged durability

SPECIFICATIONS		XC3-SUB-A
COLORS		Black
OUTPUT		1,000 lumens (SFR123) / 550 lumens (123A)
RUNTIME		0.75 hours / 1.75 hours
PEAK BEAM INTENSITY		13,000 candela / 7,200 candela
BEAM DISTANCE		228 meters / 170 meters
CONSTRUCTION		Aluminum
FINISH		Hard Anodized (MIL-A-8625 Type III, Class 2)
WEIGHT (w/batteries)		2.65 oz (75 g)
LENGTH		2.6 in (6.6 cm)
BEZEL DIAMETER		.945 in (2.4 cm)
BATTERY		(1) SFR123 Rechargeable Lithium (incl.)
SWITCHING		Ambidextrous toggle switches

All performance claims tested to ANSI/PLATO FL1-2019 Standard.

FIREARM	RAIL SET	RAIL ADAPTER
Glock 43X/48	A	1
Springfield Hellcat	B	2
H&K CC9	B	3
SIG SAUER P365	C	4

PART# / UPC

XC3-SUB-A

084871334501



THE WORLD'S FINEST ILLUMINATION TOOLS, SUPPRESSORS, & TACTICAL PRODUCTS®
18300 Mt. Baldy Circle, Fountain Valley, CA 92708 | 714-545-9444 | Fax: 714-545-9537 | surefire.com

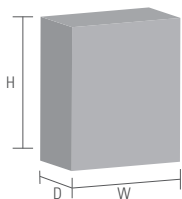
Actual product may vary from photo. Prices and specifications subject to change without notice. | Export of the product(s) shown herein must comply with the appropriate U.S. Government Jurisdiction(s) and Regulation(s).

©2026 SureFire, LLC JAN

PACKAGING SPECS

BATTERY TYPE	VOLTAGE	CAPACITY	ENERGY	WEIGHT	LITHIUM CONTENT
RCR123	3.6 V	900 mAh	3.24 Wh	19 g	0.27 g

*Specifications per battery



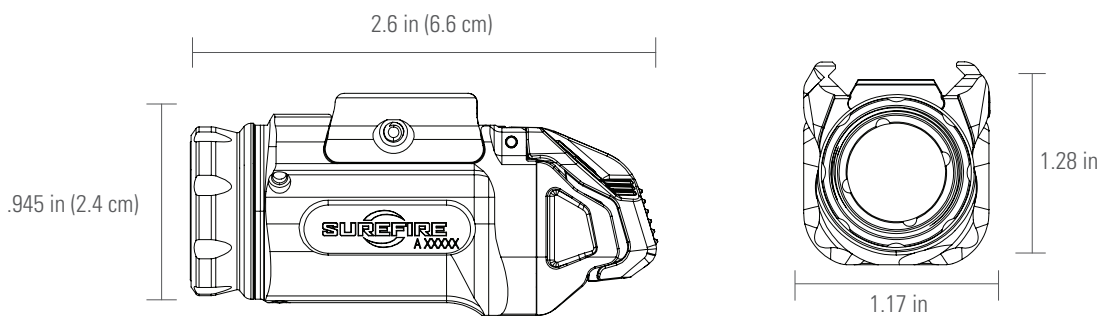
TYPE Box - Kraft Stock

HEIGHT 6 in (15.2 cm)

WIDTH 4.625 in (11.7 cm)

DEPTH 1.625 in (4.1 cm)

BODY SPECS



MIL-STD



THE WORLD'S FINEST ILLUMINATION TOOLS, SUPPRESSORS, & TACTICAL PRODUCTS®

18300 Mt. Baldy Circle, Fountain Valley, CA 92708 | 714-545-9444 | Fax: 714-545-9537 | surefire.com

Actual product may vary from photo. Prices and specifications subject to change without notice. | Export of the product(s) shown herein must comply with the appropriate U.S. Government Jurisdiction(s) and Regulation(s).