

# X400UH

ULTRA-HIGH-OUTPUT HANDGUN HOLSTER LIGHT + GREEN LASER



1,000 LUMENS



1.25 HOURS



213 METERS



HYBRID  
BEAM PATTERN



MULTIPLE  
SETTINGS



LASER



IPX4  
PROTECTION



HOLSTER

## DESCRIPTION



The X400UH-A-GN was created to interface with SureFire's revolutionary MasterFire® Rapid Deploy Holster. This compact but powerful WeaponLight/laser features a unique bezel with cam slots, and pin slots on both sides of the body, that lock the light into the holster, securing the weapon at an advantageous angle for quick deployment. The X400UH-A-GN is designed to automatically activate when the weapon is drawn from the MasterFire holster (if the holster is manually set for this function), saving valuable time in high-stress situations and making one-handed manipulations easier. Because the MasterFire holster interfaces with the WeaponLight instead of the pistol, and features an open design, most any X400UH-A-GN-equipped pistol can be accommodated by it.

Everything else about the X400UH-A-GN is pure X-Series. It features a recoil-proof LED covered with a proprietary TIR lens that focuses 1000 lumens of light into a smooth, far-reaching beam with a large central spot. Its 5-milliwatt green laser sight is highly visible to the human eye and, once zeroed, rarely needs re-zeroing thanks to Nylok® adjustment screws that won't back out from the effects of recoil. A lightweight but strong aerospace-aluminum body finished with Mil-Spec hard anodizing provide superior toughness, and protected from the elements to IPX4 standards.

Activating the X400UH-A-GN is achieved via ambidextrous switching located at the rear of body, providing one-finger control; just press the switch on either side for momentary-on activation or flip it up or down for constant-on activation. Optional DG grip switches and tape switches, which permit the X400UH-A-GN to be activated without at all altering your grip on your weapon, are also available. The X400UH-A-GN can be easily and securely attached to any pistol or long gun equipped with a Universal or Picatinny rail.



## FEATURES

- Cam-slotted bezel and rear locking lugs on battery housing inter-face with MasterFire holster for secure weapon retention
- Serves as the interface for the MasterFire holster system for almost any pistol with a tactical rail
- Special high-performance LED produces 1000 lumens
- Custom TIR lens creates smooth, far-reaching light with a larger center spot beam
- < 5mW / 515nm Green laser sight is highly visible to the human eye and rarely needs re-zeroing
- Integral ambidextrous momentary- and constant-on switching
- Attaches securely to both Universal and Picatinny accessory rails
- High-strength aerospace aluminum body, Mil-Spec hard anodized for extreme durability
- Accepts optional pressure-activated DG and XT remote switches for precision control without altering grip on weapon

### SPECIFICATIONS

#### X400UH - GREEN

OUTPUT	1000 lumens / < 5mW (515nm)
RUNTIME	1.25 hours / 10 hours (laser)
PEAK BEAM INTENSITY	11,300 candela
DISTANCE	213 meters
CONSTRUCTION	Aluminum
FINISH	Mil-Spec Hard Anodized
WEIGHT (w/batteries)	4.9 oz (139 g)
LENGTH	3.7 in (9.4 cm)
BEZEL DIAMETER	1.25 in (3.175 cm)
BATTERIES	Two 123A lithium (incl.)
SWITCHING	Ambidextrous push/toggle
LIQUID INGRESS PROTECTION	IPX4

All performance claims tested to ANSI/PLATO FL1-2019 Standard.

## PART# / UPC

X400UH-A-GN

084871326421



THE WORLD'S FINEST ILLUMINATION TOOLS, SUPPRESSORS, & TACTICAL PRODUCTS®

18300 Mt. Baldy Circle, Fountain Valley, CA 92708 | 714-545-9444 | Fax: 714-545-9537 | surefire.com

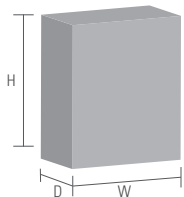
Actual product may vary from photo. Prices and specifications subject to change without notice. | Export of the product(s) shown herein must comply with the appropriate U.S. Government Jurisdiction(s) and Regulation(s).

©2025 SureFire, LLC APR

## PACKAGING SPECS

BATTERY TYPE	VOLTAGE	CAPACITY	ENERGY	WEIGHT	LITHIUM CONTENT
123A*	3 V	1,550 mAh	4.65 Wh	17 g	0.6 g

\*Specifications per battery



**TYPE** Box - Kraft Stock

**HEIGHT** 7.75 in (19.6 cm)

**WIDTH** 4.625 in (11.7 cm)

**DEPTH** 1.5 in (3.8 cm)

## FEATURED ACCESSORIES



**DG SWITCH**  
(Grip switch for handguns)  
Other appropriate models available



**XT07 TAPE SWITCH**  
(Rail attach for long guns)  
UPC: 084871851282

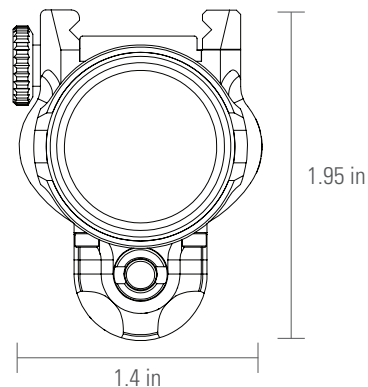
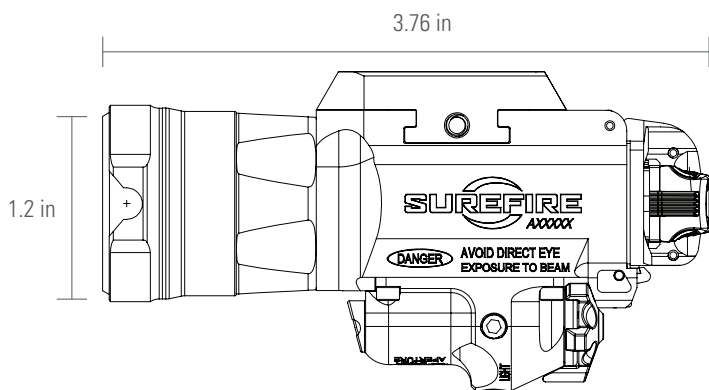


**123A LITHIUM BATTERIES**  
Available in 2, 6, 12-packs and bulk options



**SC1 SPARE BATTERY CARRIER**  
Other appropriate models also available

## BODY SPECS



**DANGER**

LASER RADIATION—AVOID DIRECT EYE EXPOSURE

**515nm at <5mW**

CLASS III LASER PRODUCT

DO NOT VIEW THE LASER BEAM WITH OPTICAL INSTRUMENTS (SCOPES, BINOCULARS, ETC.). DO NOT ATTEMPT TO OPEN OR MODIFY LASER HOUSING.



THE WORLD'S FINEST ILLUMINATION TOOLS, SUPPRESSORS, & TACTICAL PRODUCTS®  
18300 Mt. Baldy Circle, Fountain Valley, CA 92708 | 714-545-9444 | Fax: 714-545-9537 | surefire.com

Actual product may vary from photo. Prices and specifications subject to change without notice. | Export of the product(s) shown herein must comply with the appropriate U.S. Government Jurisdiction(s) and Regulation(s).

# X400UH

ULTRA-HIGH-OUTPUT HANDGUN HOLSTER LIGHT + RED LASER



1,000 LUMENS



1.25 HOURS



213 METERS



HYBRID

BEAM PATTERN



MULTIPLE

SETTINGS



LASER



PROTECTION



HOLSTER

## DESCRIPTION



The X400UH-A-RD was created to interface with SureFire's revolutionary MasterFire® Rapid Deploy Holster. This compact but powerful WeaponLight/laser features a unique bezel with cam slots, and pin slots on both sides of the body, that lock the light into the holster, securing the weapon at an advantageous angle for quick deployment. The X400UH-A-RD is designed to automatically activate when the weapon is drawn from the MasterFire holster (if the holster is manually set for this function), saving valuable time in high-stress situations and making one-handed manipulations easier. Because the MasterFire holster interfaces with the WeaponLight instead of the pistol, and features an open design, most any X400UH-A-RD-equipped pistol can be accommodated by it.

Everything else about the X400UH-A-RD is pure X-Series. It features a recoil-proof LED covered with a proprietary TIR lens that focuses 1000 lumens of light into a smooth, far-reaching beam with a large central spot. Its 5-milliwatt red laser sight is highly visible to the human eye and, once zeroed, rarely needs re-zeroing thanks to Nylok® adjustment screws that won't back out from the effects of recoil. A lightweight but strong aerospace-aluminum body finished with Mil-Spec hard anodizing provides superior toughness, and protected from the elements to IPX4 standards.

Activating the X400UH-A-RD is achieved via ambidextrous switching located at the rear of body, providing one-finger control; just press the switch on either side for momentary-on activation or flip it up or down for constant-on activation. Optional DG grip switches and tape switches, which permit the X400UH-A-RD to be activated without at all altering your grip on your weapon, are also available. The X400UH-A-RD can be easily and securely attached to any pistol or long gun equipped with a Universal or Picatinny rail.



## FEATURES

- Cam-slotted bezel and rear locking lugs on battery housing inter-face with MasterFire holster for secure weapon retention
- Serves as the interface for the MasterFire holster system for almost any pistol with a tactical rail
- Special high-performance LED produces 1000 lumens
- Custom TIR lens creates smooth, far-reaching light with a larger center spot beam
- < 5mW / 635nm Red laser sight is highly visible to the human eye and rarely needs re-zeroing
- Integral ambidextrous momentary- and constant-on switching
- Attaches securely to both Universal and Picatinny accessory rails
- High-strength aerospace aluminum body, Mil-Spec hard anodized for extreme durability
- Accepts optional pressure-activated DG and XT remote switches for precision control without altering grip on weapon

SPECIFICATIONS

	X400UH - RED
OUTPUT	1000 lumens / < 5mW (635nm)
RUNTIME	1.25 hours / 24 hours (laser)
PEAK BEAM INTENSITY	11,300 candela
DISTANCE	213 meters
CONSTRUCTION	Aluminum
FINISH	Mil-Spec Hard Anodized
WEIGHT (w/batteries)	4.9 oz (139 g)
LENGTH	3.7 in (9.4 cm)
BEZEL DIAMETER	1.25 in (3.175 cm)
BATTERIES	Two 123A lithium (incl.)
SWITCHING	Ambidextrous push/toggle
LIQUID INGRESS PROTECTION	IPX4

All performance claims tested to ANSI/PLATO FL1-2019 Standard.

## PART# / UPC

X400UH-A-RD

084871326414



THE WORLD'S FINEST ILLUMINATION TOOLS, SUPPRESSORS, & TACTICAL PRODUCTS®

18300 Mt. Baldy Circle, Fountain Valley, CA 92708 | 714-545-9444 | Fax: 714-545-9537 | surefire.com

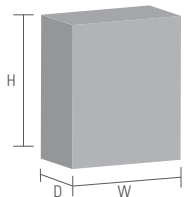
Actual product may vary from photo. Prices and specifications subject to change without notice. | Export of the product(s) shown herein must comply with the appropriate U.S. Government Jurisdiction(s) and Regulation(s).

©2025 SureFire, LLC APR

## PACKAGING SPECS

BATTERY TYPE	VOLTAGE	CAPACITY	ENERGY	WEIGHT	LITHIUM CONTENT
123A*	3 V	1,550 mAh	4.65 Wh	17 g	0.6 g

\*Specifications per battery



**TYPE** Box - Kraft Stock

**HEIGHT** 7.75 in (19.6 cm)

**WIDTH** 4.625 in (11.7 cm)

**DEPTH** 1.5 in (3.8 cm)

## FEATURED ACCESSORIES



**DG SWITCH**  
(Grip switch for handguns)  
Other appropriate models available



**XT07 TAPE SWITCH**  
(Rail attach for long guns)  
UPC: 084871851282

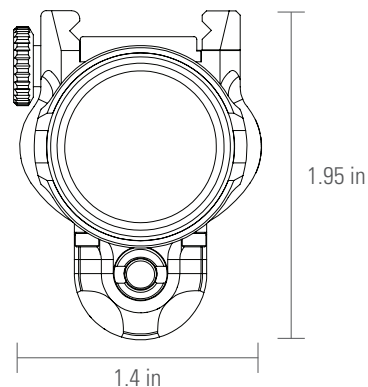
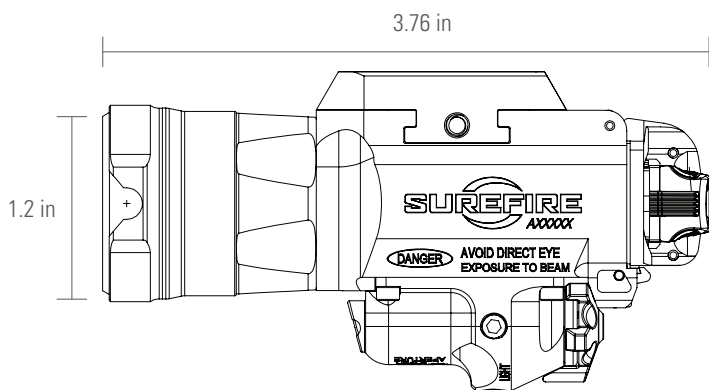


**123A LITHIUM BATTERIES**  
Available in 2, 6, 12-packs and bulk options



**SC1 SPARE BATTERY CARRIER**  
Other appropriate models also available

## BODY SPECS



DO NOT VIEW THE LASER BEAM WITH OPTICAL INSTRUMENTS (SCOPES, BINOCULARS, ETC.). DO NOT ATTEMPT TO OPEN OR MODIFY LASER HOUSING.



THE WORLD'S FINEST ILLUMINATION TOOLS, SUPPRESSORS, & TACTICAL PRODUCTS®  
18300 Mt. Baldy Circle, Fountain Valley, CA 92708 | 714-545-9444 | Fax: 714-545-9537 | surefire.com

Actual product may vary from photo. Prices and specifications subject to change without notice. | Export of the product(s) shown herein must comply with the appropriate U.S. Government Jurisdiction(s) and Regulation(s).